

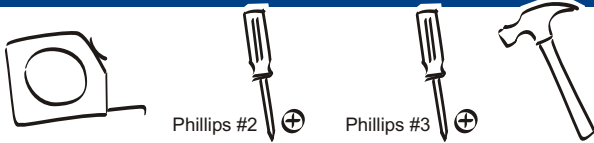
Swinging Doors for Spacesaver Shelving

Assembly Guide



- All required hardware is included.
 - Please check the contents with your packing slip.
 - Read instructions carefully.
 - Save this document for future reference.
- Two people are required for the assembly.

Tools Required



Hardware

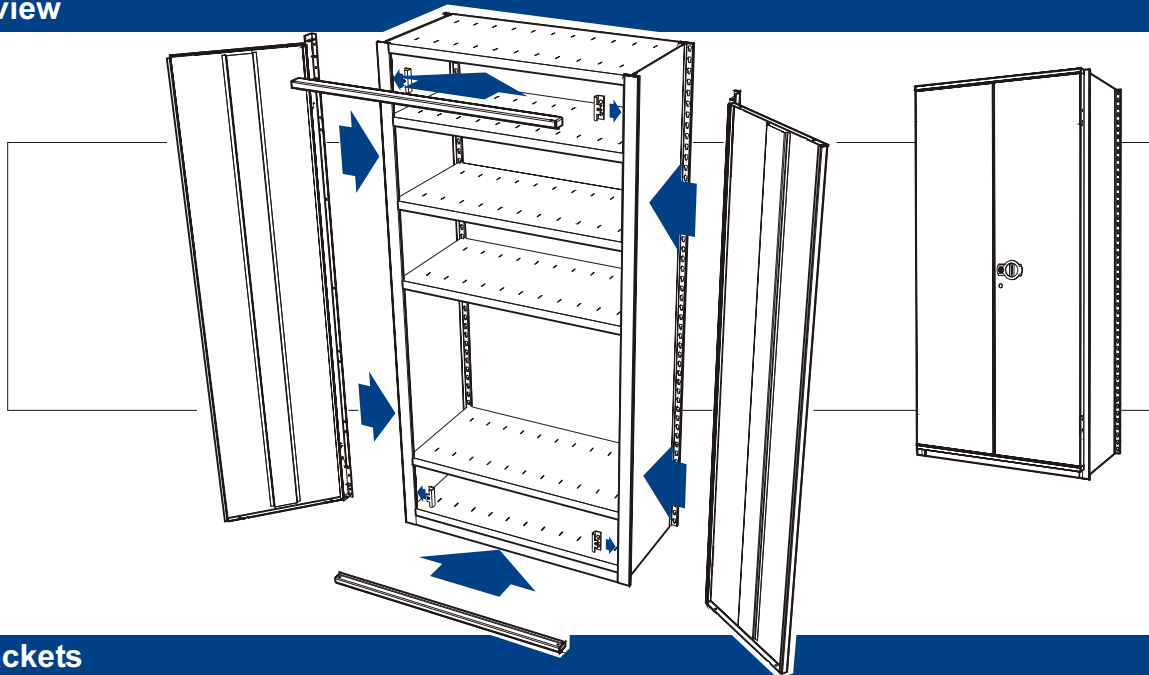
1/4-20 bolts



Tapping screws



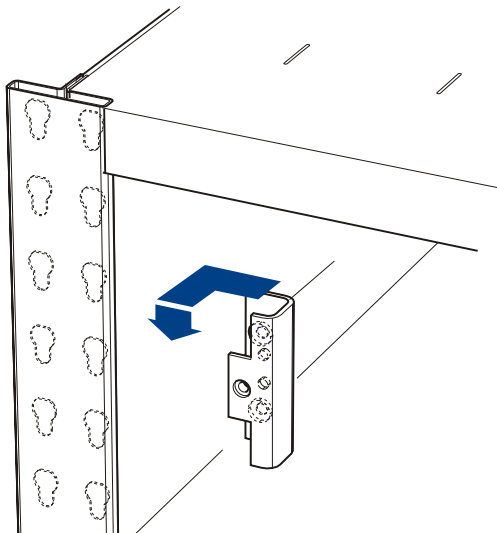
Global view



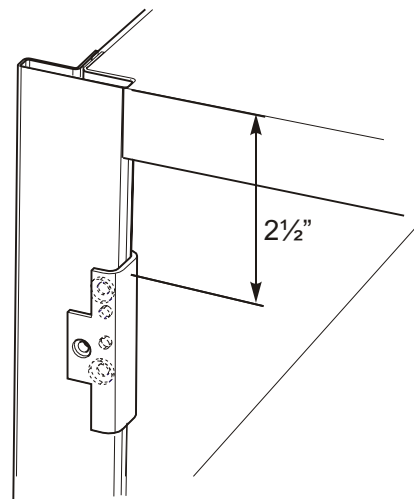
Top brackets

A. Hook the door brackets in place.

In order to perfectly install the brackets, be sure to use a hammer to knock it in.

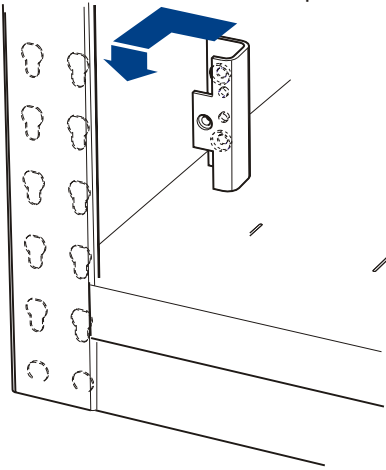



B. No tapping screw is needed.

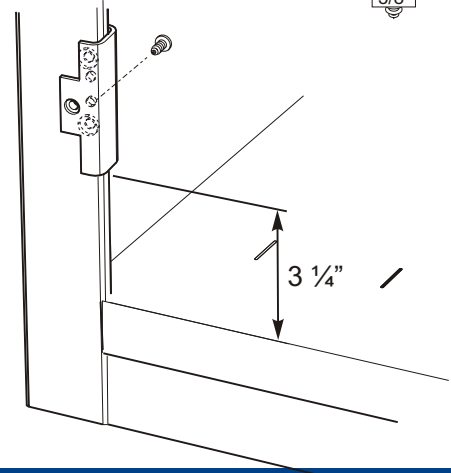
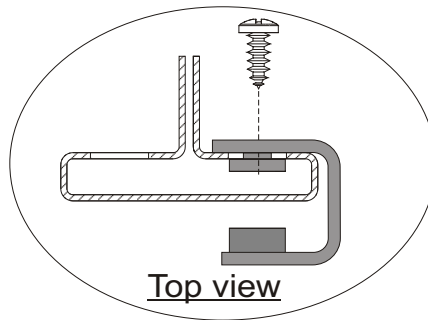


Bottom brackets

A. Hook the door brackets in place.

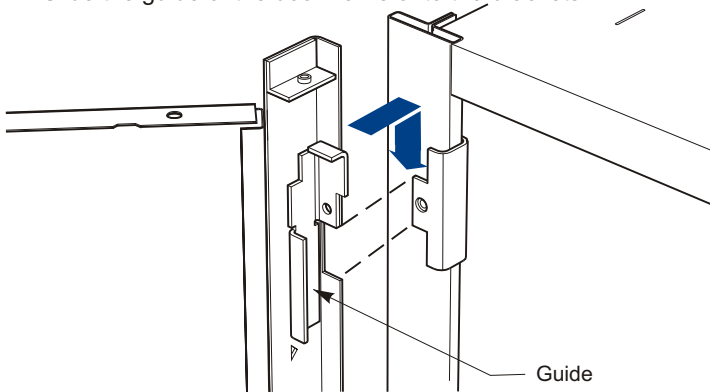



B. Secure them with a tapping screw. 2x 



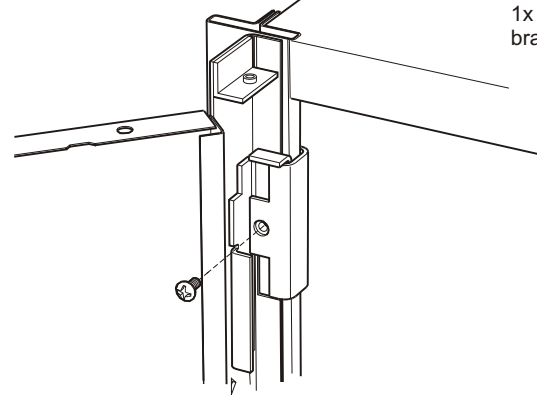
Side frames and doors

A. Slide the guide of the door frame onto the brackets.



B. Fasten the door frame with 1/4" - 20 x 1/2" bolt. 

1x per bracket



Top and bottom frame

A. Slide the top and bottom frame onto the side frame. 4X 

4X



B. Secure them in place with bolts clips per frame.

