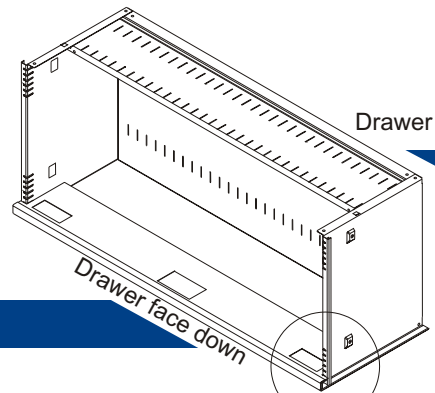


FO Drawer Locking Mechanism Assembly Guide



- First check the contents.
- Read instructions carefully.

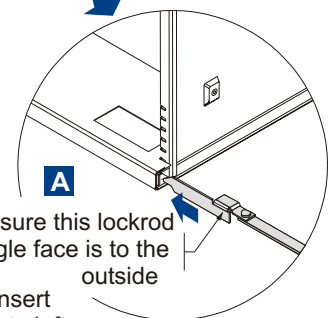
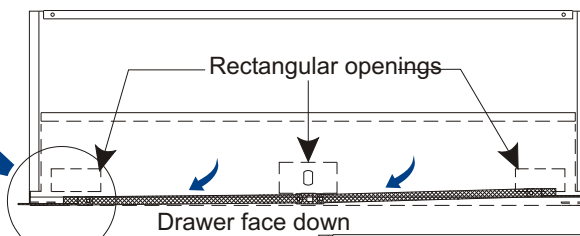
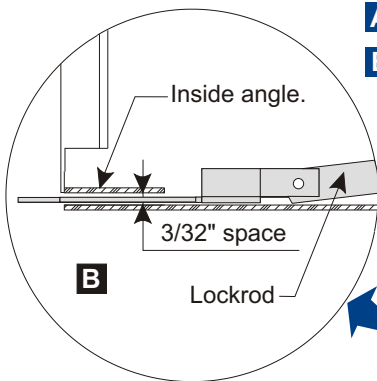


First step

- Remove the knock-out from the drawer.
- Place the drawer as shown in order to get more accessibility to install your lockrod.

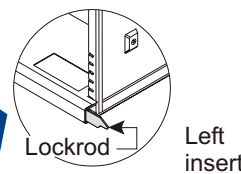
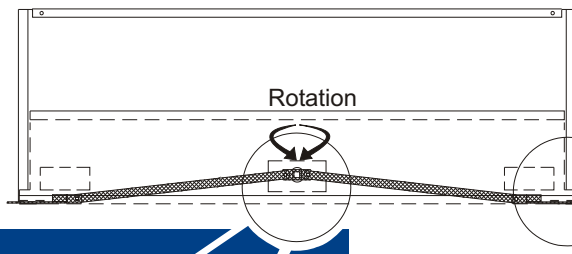
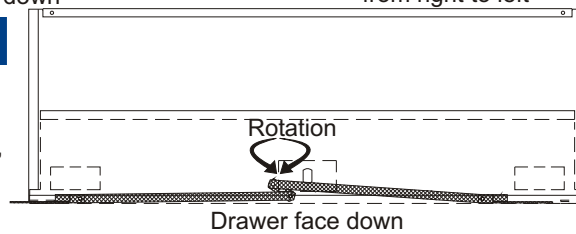
Step 2

- A** • To install your lockrod, slide it at the right end as shown.
- B** • Make sure that the opposite end of the rod goes in between the inside angle and the upper part of the drawer, a 3/32" space.
- To ease installation, use the rectangular openings.

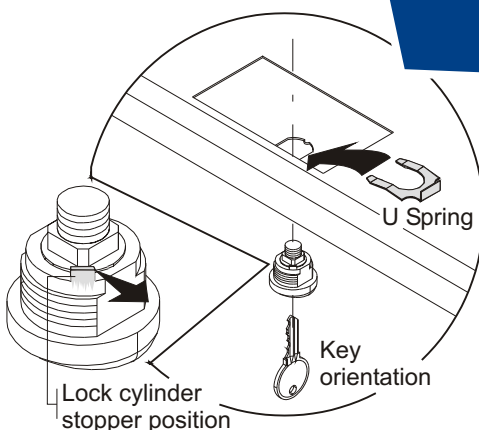


Step 3

- Rotate the middle section until the left end protrudes between the inside angle and the upper part of the drawer, the 3/32" space.

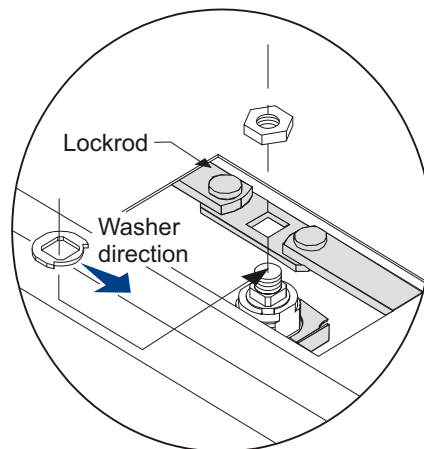


Step 4



- Install the lock cylinder with the stopper in the position as shown.
- Attach the U spring to the cylinder.
- Make sure that the teeth on the key are facing toward the top of the drawer.

Step 5



- Place the washer then the lockrod on the cylinder lock as shown.
- The nut will finalize the installation.